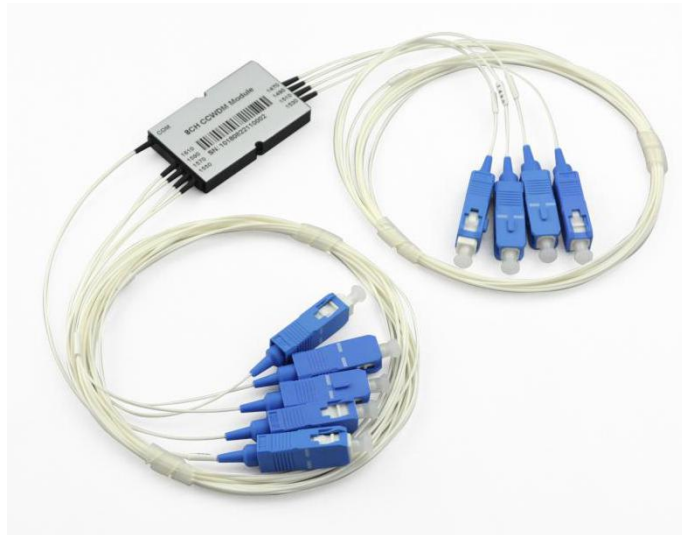


## 4/8-CH CCWDM Mux/Demux Module

### 1、 Cable Drawing



### 2、 Description

(CCWDM) Compact Coarse Wavelength Division Multiplexer, based on Thin-Film-Filter and Micro-Optics, this product features small form, ultra low loss and high channel isolation. this technology is a lead-free packaging platform with high reliability.

### 3、 Features

- Low Insertion Loss, Low PDL
- Excellent Channel Isolation
- Good channel-to-channel uniformity
- High stability & reliability
- Compact Design
- Epoxy free on optical path

### 4、 Application

- CWDM System
- PON Networks
- CATV Links
- WDM Network

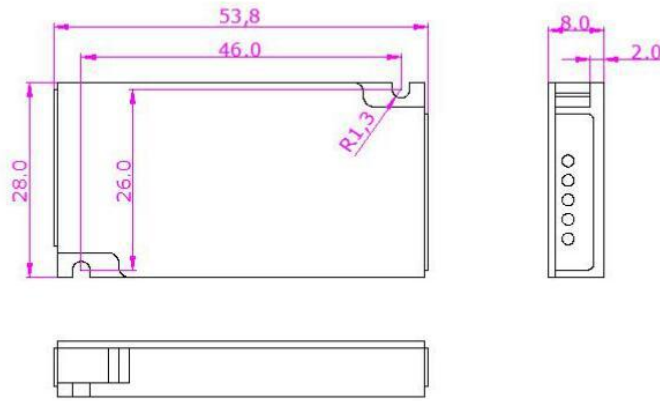
## 5. Specification

| Parameter                              |                     | Specification                          |     |         |           |
|--|---------------------|--|-----|---------|-----------|
| Channel Number (CH)                    |                     | 4                                      | 8   | 8(+E1)  | 8(+E2)    |
| Center Wavelength (nm)                 |                     | 1270, 1290...1610 or 1271, 1291...1611 |     |         |           |
| Passband (nm)                          | Channels (Min.)     | ±6.5                                   |     |         |           |
|  | Upgrade port(Min.)  | /                                      |     | 1310±50 | 1260~1458 |
| Isolation (dB)                         | Mux                 | Adjacent (Min.)                        | 30  |         |           |
|  |                     | Non-adjacent (Min.)                    | 45  |         |           |
|  |                     | Upgrade Port (Min.)                    | 15  |         |           |
|  | Demux               | Adjacent (Min.)                        | 30  |         |           |
|  |                     | Non-adjacent (Min.)                    | 45  |         |           |
|  |                     | Upgrade Port (Min.)                    | 15  |         |           |
| Insertion Loss (dB)                    | Channels (Max.)     | 1.0                                    | 1.5 | 1.5     | 1.5       |
|  | Upgrade Port (Max.) | /                                      | /   | 1.2     | 1.2       |
| Max. Ripple in Passband (dB)           |                     | 0.5                                    |     |         |           |
| Min. Directivity (dB)                  |                     | 55                                     |     |         |           |
| Max. Polarization Dependent Loss (dB)  |                     | ≤0.2                                   |     |         |           |
| Max. Polarization Mode Dispersion (ps) |                     | 0.10(GD)                               |     |         |           |
| Min. Return Loss (dB)                  |                     | 50                                     |     |         |           |
| Fiber Type                             |                     | Corning SMF-28e or 900um Loose Tube    |     |         |           |
| Fiber Length (m)                       |                     | 1.0+/-0.1                              |     |         |           |
| Maximum Power Handling (mW)            |                     | 500                                    |     |         |           |
| Operating Temperature (°C)             |                     | -10~+70                                |     |         |           |
| Storage Temperature (°C)               |                     | -40~+85                                |     |         |           |
| Package dimension (mm)                 |                     | Package A: (L)44.0x(W)28x(H)6.0        |     |         |           |
|  |                     | Package B: (L)53.8x(W)28x(H)8.0        |     |         |           |

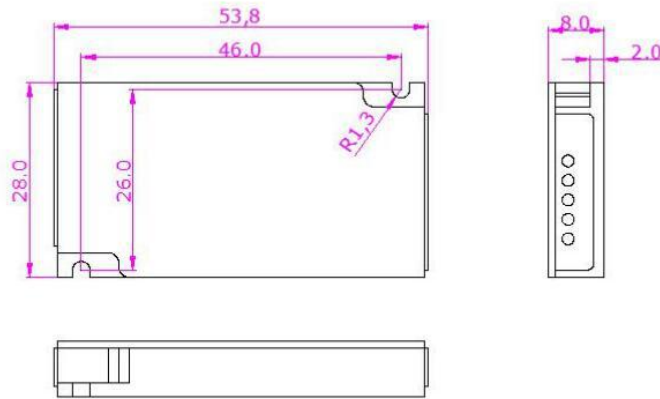
### Notes:

1. All values specified are without connectors.
2. IL will increase 0.2dB when add one connector.
3. Customized service is available.

## 6、Dimension



**Package A : (L)44x(W)28x(H)6.0 mm**



**Package B : (L)53.8x(W)28x(H)8.0 mm**

## 7、Typical Spectrum

